

Communications & Power Industries Magnetron



The SFD352 is a coaxial magnetron delivering high peak and average RF power for use in various radar transmitters.

The SFD352 will mount directly into new and existing sockets and can be operated under various pulse and input conditions to accommodate wide ranging operating requirements. In addition to high power, the SFD352 provides excellent frequency stability, low jitter and long life.

FEATURES:

- Frequency 8.5 – 9.6 GHz
- Peak power output 200 kW min.
- Duty cycle .001
- Air cooled
- Mechanically tunable

BENEFITS:

- >40,000 hours life
- Exceptional frequency stability

APPLICATIONS:

- Air traffic control radars
- Weather radars
- Threat simulator radars
- Fire control radars

CPI X-Band 200 kW Coaxial Magnetron: SFD352

Electrical Specifications

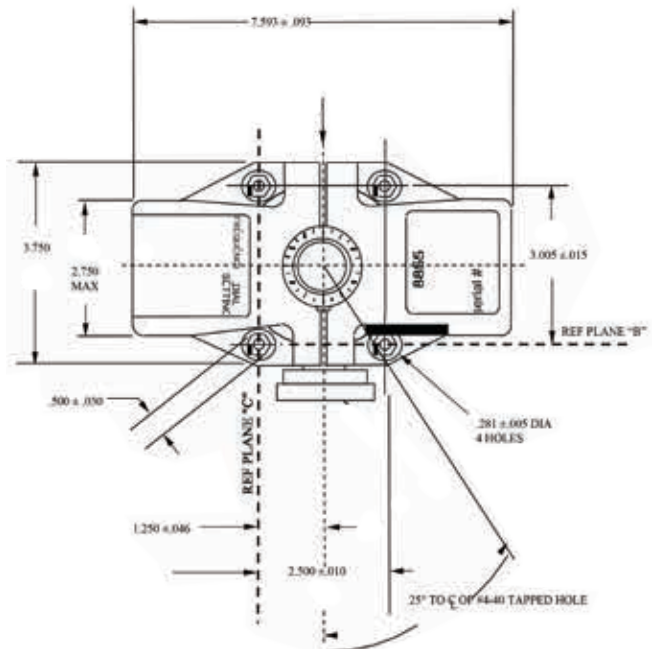
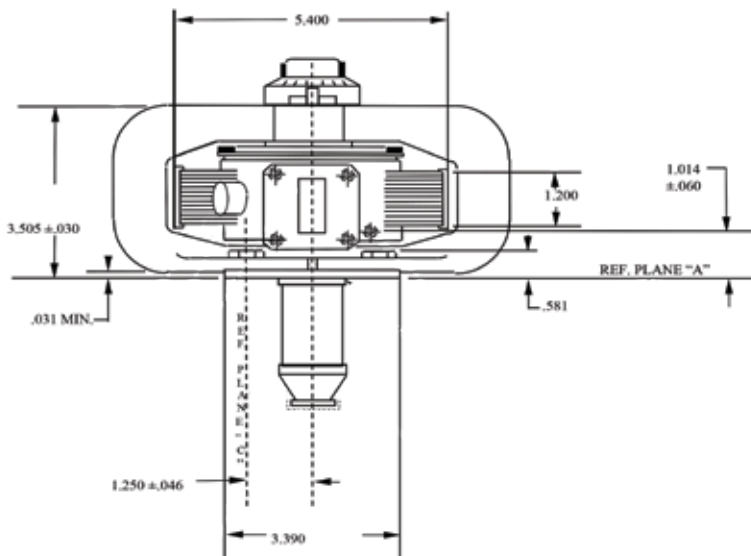
Frequency	8.5 – 9.6 GHz
Peak power output (min.)	200 kW
Average power output (min.)	200 W
Pulse voltage	20.0 – 23.0 kV
Peak anode current	27.5 A
Average anode current	27.5 mA
Maximum pulse width	2.8 μ S
Duty cycle	0.001
Maximum filament voltage	15 V
Maximum filament current	3.6 A
Minimum warm-up time	150 S
Maximum load VSWR	1.5:1

Mechanical and Environmental Specifications

Cooling	Forced air
Maximum body temperature	125°C
Mounting position	Any
Support	Mounting flange
Coupling	WR 112 mates with RG-52/U choke flange modified for clearance holes
Weight	13.5 lbs. (6.12 kg)

With a history of producing high quality products, we can help your with magnetron.

Contact us at BMDMarketing@cpii.com or call us at +1 978-922-6000.



Beverly Microwave Division
150 Sohier Road
Beverly, Massachusetts
USA 01915

tel +1 978-922-6000
email BMDMarketing@cpii.com
fax +1 978-922-8914
web www.cpii.com

For more detailed information, please refer to the corresponding CPI technical description if one has been published, or contact CPI. Specifications may change without notice as a result of additional data or product refinement. Please contact CPI before using this information for system design.

©2020 Communications & Power Industries LLC. Company proprietary; use and reproduction is strictly prohibited without written authorization from CPI.